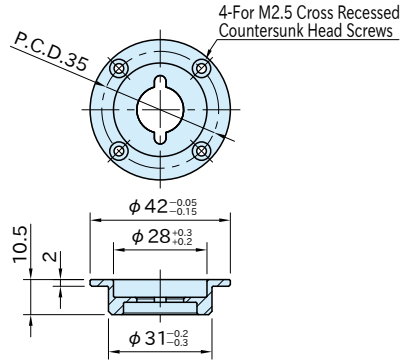


QCFC-B

LOCKING RECEPTACLES



Stainless Steel



Part Number	Plate Thickness	Weight (g)	Flat Quarter Turn Clamps
QCFC0639-B-SUS	6 or more	32	QCFC0639-SUS

Body
SUS303 stainless steel

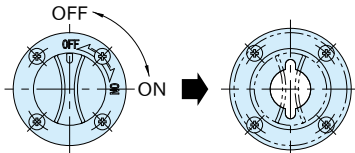
Supplied With

4 of cross recessed countersunk head screws (stainless steel), M2.5X0.45-5L

Reference

"Accuracy" of [QCFC](#) Flat Quarter Turn Clamps

Installing Position



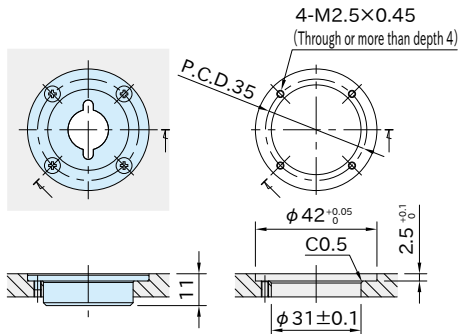
Flat Quarter Turn Clamp

Locking Receptacle

Please note the orientation of Locking Receptacle to Flat Quarter Turn Clamp.

How To Install

For over 6mm to under 12mm plate



With thin plates, the bottom of the locking receptacle protrudes from the plate.

For over 12mm plate

